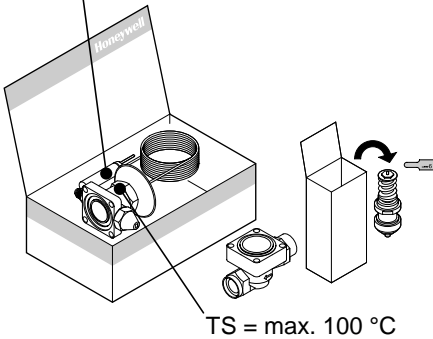


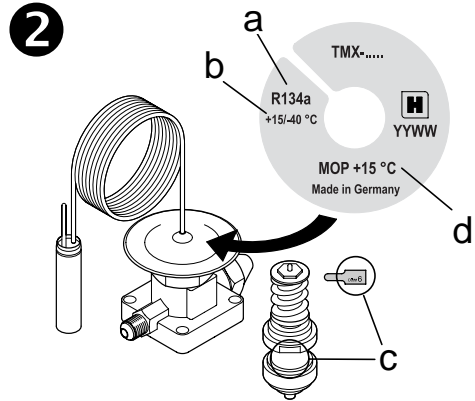
## TMX

Einbau-Anleitung • Installation instructions • Instructions de montage  
Istruzioni per il montaggio • Instrucciones de instalación

- 1** TS = max. 140 °C (gas charge - MOP)  
max. 70 °C (liquid charge - F)

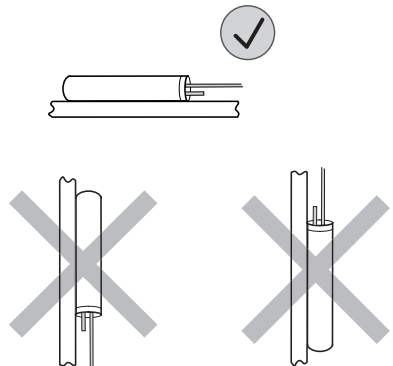
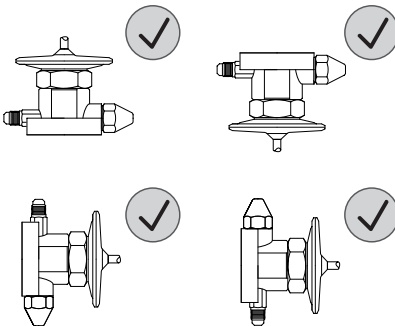


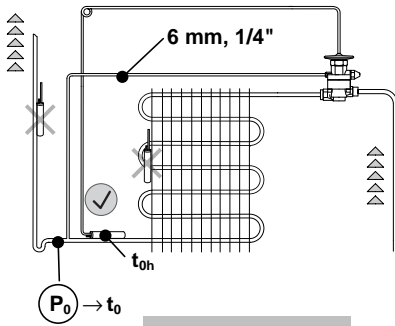
PS = max. 29 bar  
P<sub>test</sub> = max. 32 bar  
 $\Delta t_{oh, stat} \approx 3.5 \text{ K}$



- a) R22, R23, R124, R134a, R227, R236fa, R401A, R402A, R404A, R407C, R410A, R507, R508B, ISC89  
b)  $t_{0, max} / t_{0, min}$   
c) 4.5 - 10 => **II**  
d) MOP: Gas Charge  
F: Liquid Charge

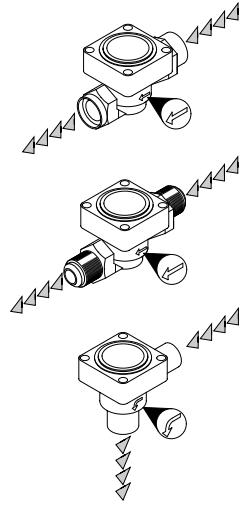
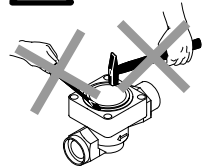
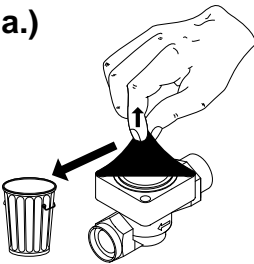
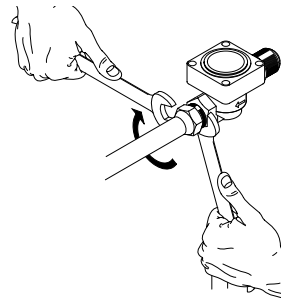
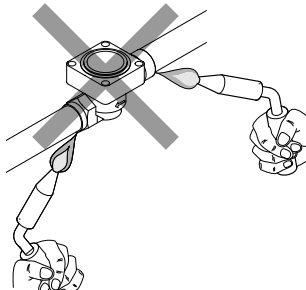
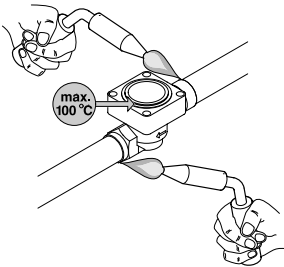
- 3** **§ EN 378 !**



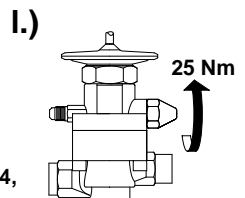
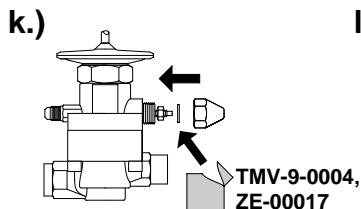
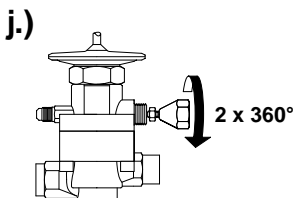
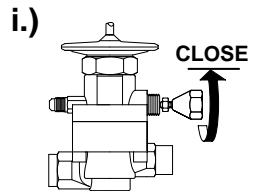
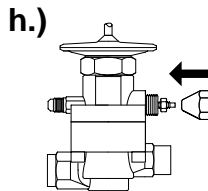
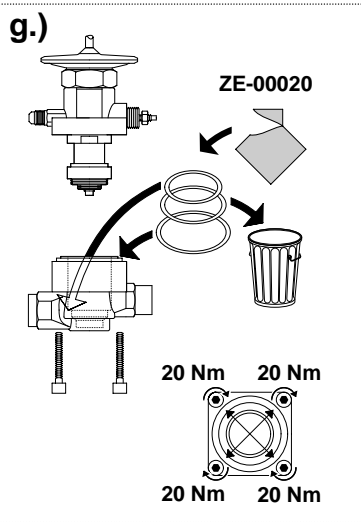
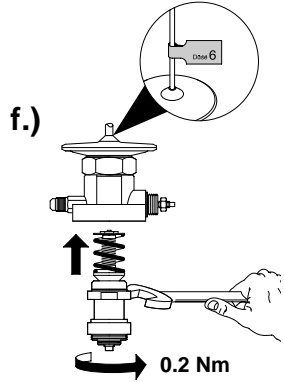
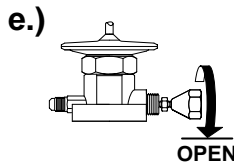
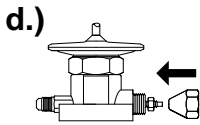
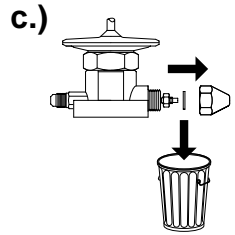
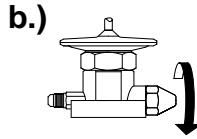
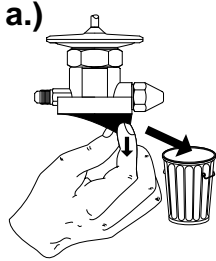
**4****TMX**

$$\Delta t_{0h} = t_{0h} - t_0$$

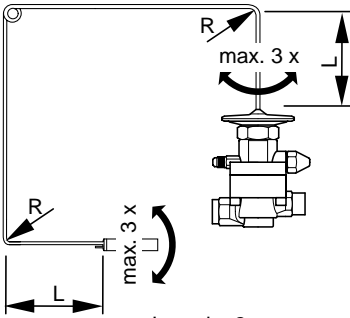
$$\Delta t_{0h} \neq \text{ok} \Rightarrow \text{10}$$

**5****6****a.)****6****b.)**

**7**

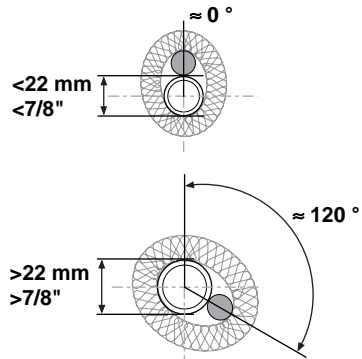
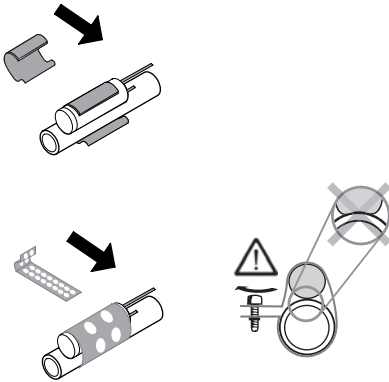


8



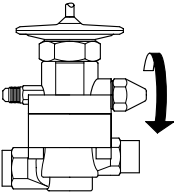
L = min. 2 cm  
R = min. 2 cm

9

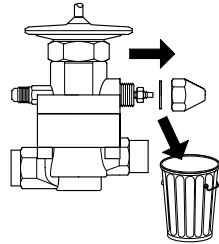


**10** $\Delta t_{0h} \neq ok$ 

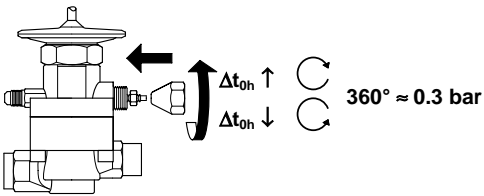
a.)



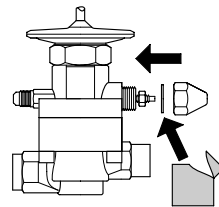
b.)



c.)

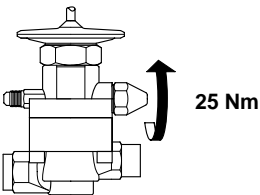


d.)



TMV-9-0004,  
ZE-00017

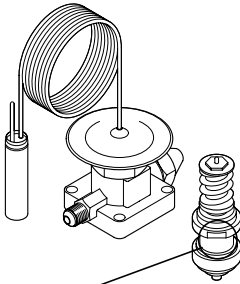
e.)



f.)

 $\Delta t_{0h} \uparrow \Rightarrow MOP \downarrow$  $\Delta t_{0h} \downarrow \Rightarrow MOP \uparrow$  $\Delta t_{0h} > 0$

11



	Q <sub>0</sub> [kW]												
	R22	R23	R124	R134a	R227	R236fa	R401A	R404A	R407C	R410A	R507	R508B	ISC89
4.5	16.3	18.6	9.4	11.1	6.6	6.0	13.0	12.3	16.3	20.5	12.3	12.2	5.6
4.75	21.5	24.5	12.4	15.0	8.7	8.0	17.1	16.2	21.5	27.0	16.2	16.1	7.4
5	27.9	31.9	16.1	18.8	11.3	10.3	22.2	21.0	27.9	35.1	21.0	20.9	9.6
6	40.7	46.5	23.5	26.0	16.4	15.1	32.4	30.6	40.7	51.2	30.6	30.5	14.0
7	52.3	59.7	30.2	33.3	21.1	19.4	41.6	39.3	52.3	65.8	39.3	39.2	18.0
8	61.6	70.4	35.6	40.8	24.9	22.8	49.0	46.3	61.6	77.5	46.3	46.2	21.2
10	72.1	82.3	41.7	48.0	29.1	26.7	57.3	54.2	72.1	90.7	54.2	54.1	24.8
t <sub>0</sub>	-10 °C	-70 °C	+10 °C	-10 °C	+10 °C	+10 °C	-10 °C	-10 °C	-10 °C	-10 °C	-10 °C	-70 °C	-40 °C
t <sub>c</sub>	+25 °C	-30 °C	+50 °C	+25 °C	+50 °C	+50 °C	+25 °C	+25 °C	+25 °C	+25 °C	+25 °C	-30 °C	+25 °C
Δt <sub>20</sub>	1 K	1 K	1 K	1 K	1 K	1 K	1 K	1 K	1 K	1 K	1 K	1 K	1 K

# Honeywell

## Automation and Control Solutions

Honeywell GmbH

Hardhofweg • 74821 Mosbach / Germany

Phone: +49 (0) 62 61 / 81-475

Fax: +49 (0) 62 61 / 81-461

E-Mail: [Cooling.Mosbach@honeywell.com](mailto:Cooling.Mosbach@honeywell.com)

[www.honeywell-cooling.com](http://www.honeywell-cooling.com)

Manufactured for and on behalf of the  
 Environment and Combustion Controls  
 Division of Honeywell Technologies Sàrl,  
 Ecublens, Route du Bois 37, Switzerland  
 by its authorised representative Honeywell GmbH