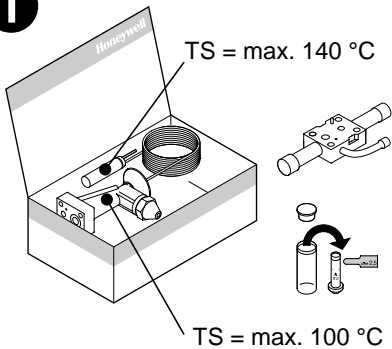


## TMVL

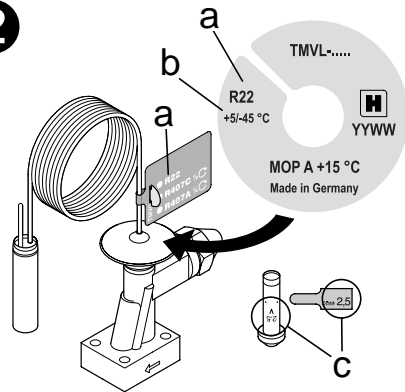
Einbau-Anleitung • Installation instructions • Instructions de montage  
Istruzioni per il montaggio • Instrucciones de instalación

**1**



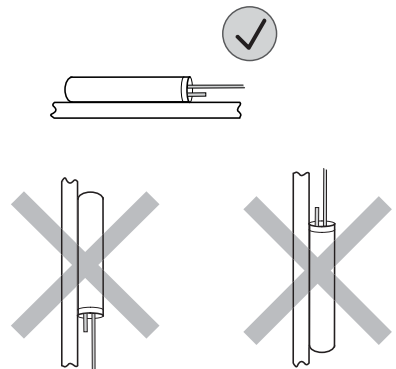
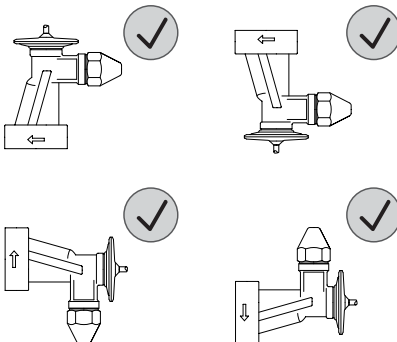
PS = max. 29 bar  
P<sub>test</sub> = max. 32 bar  
 $\Delta t_{oh, stat} \approx 3 K$

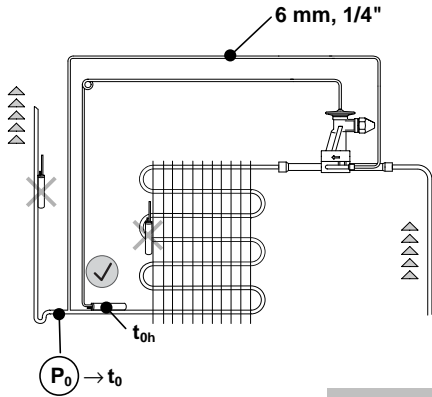
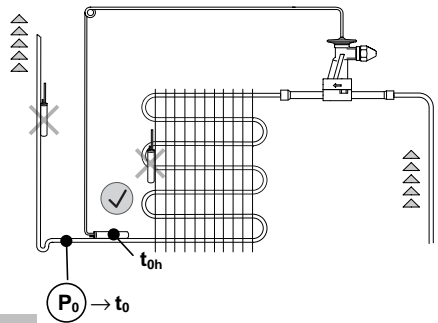
**2**



**3**

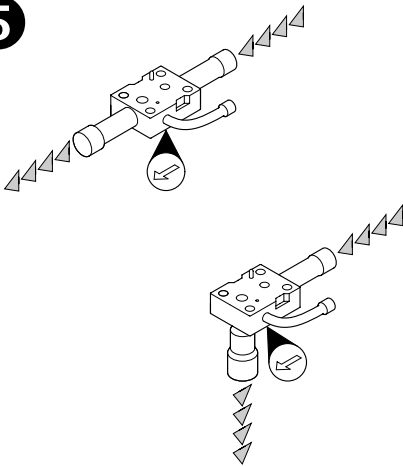
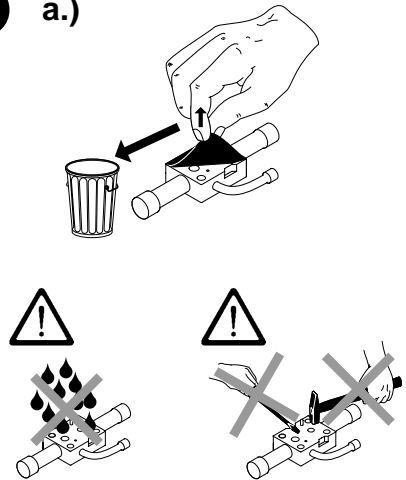
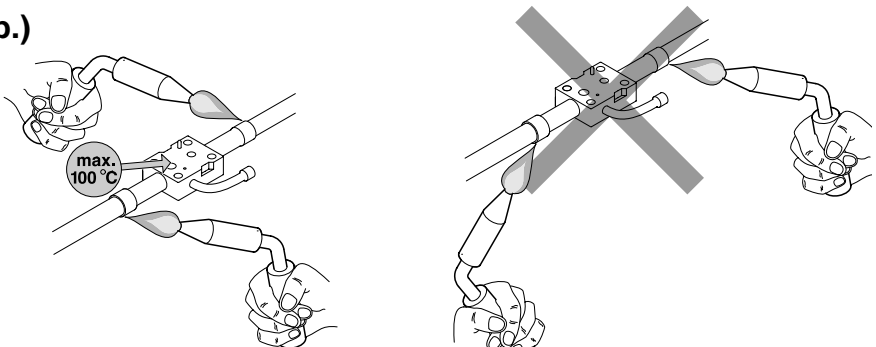
§ EN 378 !



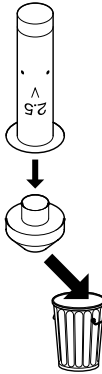
**4****TMVLX****TMVL**

$$\Delta t_{0h} = t_{0h} - t_0$$

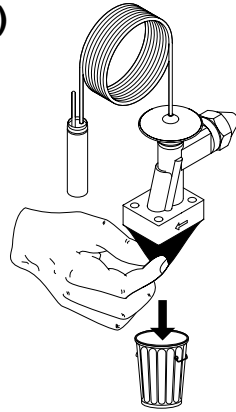
$$\Delta t_{0h} \neq \text{OK} \Rightarrow \text{II}$$

**5****6****a.)****6****b.)**

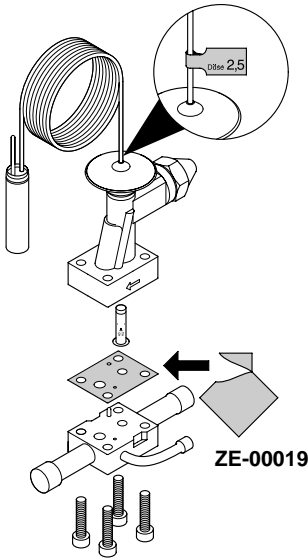
**7** a.)



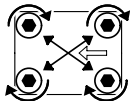
**7** b.)



**7** c.)

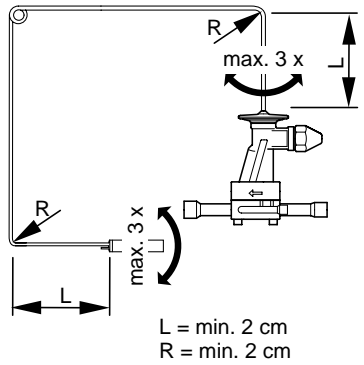


12 Nm 12 Nm

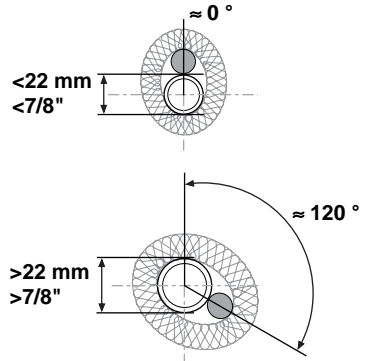
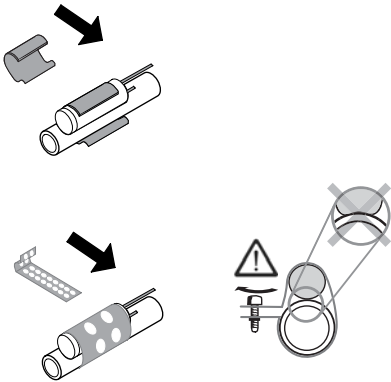


12 Nm 12 Nm

**8**



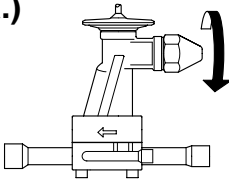
9



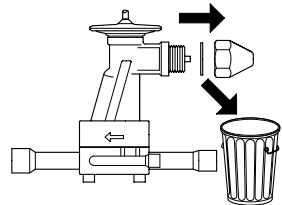
10

- R22 → R407C, R407A
- R134a → R401A, R12
- R404A → R507, R402A, R407B, R502

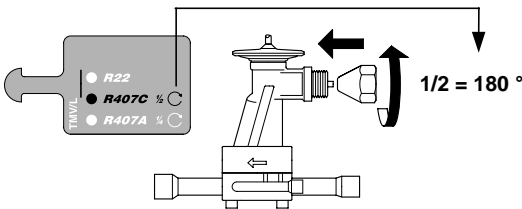
a.)



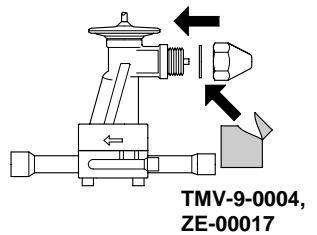
b.)



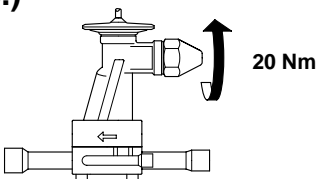
c.)



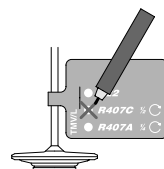
d.)



e.)



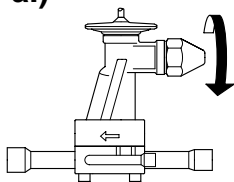
f.)



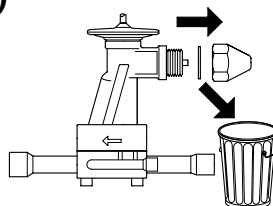


$\Delta t_{oh} \neq ok$

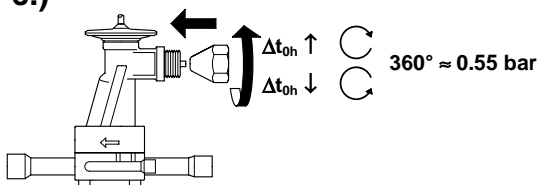
a.)



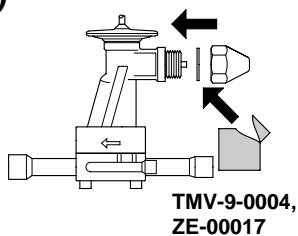
b.)



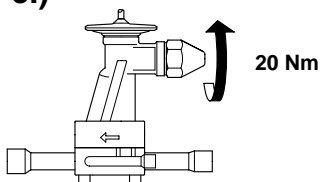
c.)



d.)



e.)



f.)



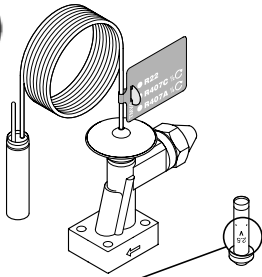
$\Delta t_{oh} \uparrow \Rightarrow MOP \downarrow$

$\Delta t_{oh} \downarrow \Rightarrow MOP \uparrow$



$\Delta t_{oh} > 0$

12



	Q <sub>0</sub> [kW]													
	R22	R407C	R407A	R134a	R401A	R12	R404A	R507	R402A	R407B	R502	R124	R227	
0.3	0.5	0.5	0.5	0.34	0.4	0.3	0.37	0.37	0.39	0.4	0.34	0.29	0.2	
0.5	1.0	1.0	1.0	0.65	0.75	0.5	0.7	0.7	0.73	0.8	0.65	0.55	0.4	
0.7	1.3	1.3	1.3	0.9	1.0	0.7	1.0	1.0	1.0	1.1	0.9	0.75	0.5	
1.0	1.9	1.9	1.9	1.3	1.5	1.0	1.5	1.5	1.5	1.6	1.4	1.1	0.75	
1.5	3.1	3.1	3.1	2.1	2.4	1.7	2.3	2.3	2.4	2.5	2.2	1.8	1.3	
2.0	3.9	3.9	3.9	2.7	3.1	2.1	2.9	2.9	3.0	3.2	2.8	2.3	1.6	
2.5	5.6	5.6	5.6	3.8	4.4	2.9	4.2	4.2	4.3	4.6	4.0	3.3	2.3	
3.0	8.9	8.9	8.9	6.2	7.1	5.3	6.7	6.7	6.9	7.3	6.4	5.1	3.6	
3.5	11.7	11.7	11.7	8.2	9.3	6.1	8.8	8.8	9.0	9.6	8.6	6.8	4.7	
4.5	16.3	16.3	16.3	11.1	13.0	9.3	12.3	12.3	12.6	13.4	11.4	9.4	6.6	
4.75	21.5	21.5	21.5	15.0	17.1	11.9	16.2	16.2	16.6	17.6	14.6	12.4	8.7	

t <sub>0</sub>	-10 °C	-10 °C	-10 °C	-10 °C	-10 °C	-10 °C	-10 °C	-10 °C	-10 °C	-10 °C	-10 °C	+10 °C	+10 °C
t <sub>c</sub>	+25 °C	+25 °C	+25 °C	+25 °C	+25 °C	+25 °C	+25 °C	+25 °C	+25 °C	+25 °C	+25 °C	+50 °C	+50 °C
Δt <sub>ev</sub>	1 K	1 K	1 K	1 K	1 K	1 K	1 K	1 K	1 K	1 K	1 K	1 K	1 K

# Honeywell

## Automation and Control Solutions

Honeywell GmbH

Hardhofweg • 74821 Mosbach / Germany

Phone: +49 (0) 62 61 / 81-475

Fax: +49 (0) 62 61 / 81-461

E-Mail: [Cooling.Mosbach@honeywell.com](mailto:Cooling.Mosbach@honeywell.com)

[www.honeywell-cooling.com](http://www.honeywell-cooling.com)

Manufactured for and on behalf of the  
Environment and Combustion Controls  
Division of Honeywell Technologies Sàrl,  
Ecublens, Route du Bois 37, Switzerland  
by its authorised representative Honeywell GmbH